

RODO

New Lighting Technology



LED Sources

RODO
New Lighting Technology

About RODO

Founded by a group of visionary lighting engineers, our company is at the forefront of crafting contemporary lighting solutions that harmonize with the evolution of architecture and construction.

Partnering with the world's leading lighting factories, we innovate with creative solutions, offering energy-efficient, long-lasting products.

Prioritizing quality, we provide a plethora of options for lighting designers, ensuring a robust warranty.

Committed to modern technology, our products seamlessly integrate with advancements like Smart Home, delivering lighting that is not only efficient but also visually soothing.

Our features



New lighting technologies



Innovative solutions



Energy saving



Long life



No Flicker



Quality of products



Options for lighting designers



Warranty up to 5 yr



Compatible with technology



Comfortable on eyes



HIGH CRI

LED Sources

LED GU10GL

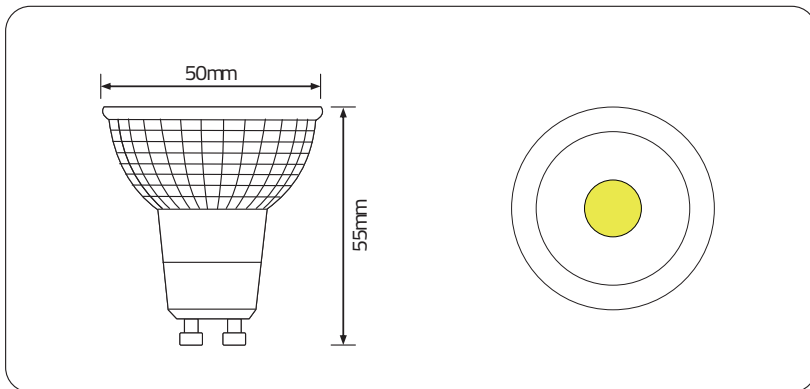


UP To 80% ENERGY SAVING

4W	25W
5W	35W
6W	50W
7W	55W



20,000H 2,000Hx10PCS



Key Materials

- Sanan chip, Honglitronic packed SMD2835
- Glass body & ceramic holder
- Built-in constant current LED driver

Options

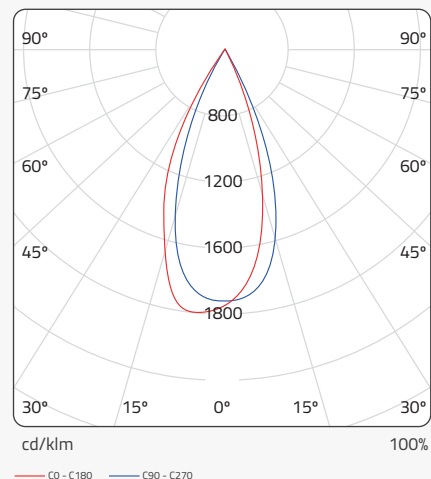
- 110/220V with RC/Linear IC, 175-265V with IC driver

Applications

- Hotels, restaurants, bars, cafes
- Lobbies, corridors, stairwells, reception areas etc

Photometric Data

HX-S5GL-GU10



SPECIFICATION

Code No.	Voltage	Power	Lumen	3000K / 4000K / 6000K		
				CRI	PF	EMC
RO-GU10-4	170-240V	4W	320lm	80	0.5	Option
RO-GU10-5	170-240V	5W	400lm	80	0.5	Option
RO-GU10-6	170-240V	6W	480lm	80	0.5	Option
RO-GU10-7	170-240V	7W	560lm	80	0.5	Option

LED Sources

LED GU10 PLA+AL



UP To 80% ENERGY SAVING

4W	25W
5W	35W
6W	50W
7W	55W

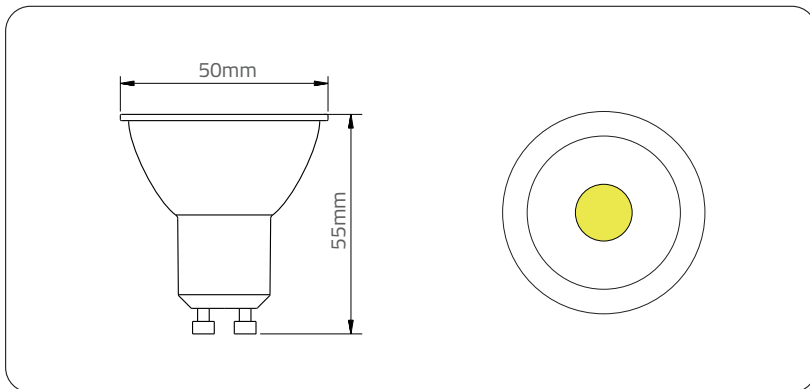


CONFORMS WITH
EUROPEAN
DIRECTIVE
FOR ENERGY
RELATED
PRODUCTS



20,000H

2,000Hx10PCS



Key Materials

- Sanan chip SMD2835
- Plastic coated and aluminum housin
- Built-in constant current LED driver

Options

- 100-240V wide input voltage option
- Dimmable version is available

Applications

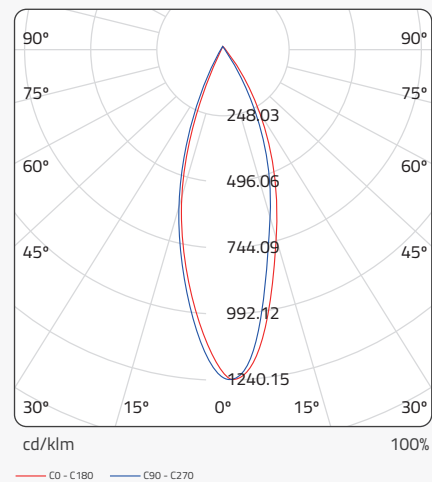
- Hotels, shops, restaurants, bars, cafes etc

SPECIFICATION

Code No.	Voltage	Power	Lumen	3000K / 4000K / 6000K		
				CRI	PF	EMC
RO-GU10-4-1	170-240V	4W	320lm	80	0.5	Option
RO-GU10-5-1	170-240V	5W	400lm	80	0.5	Option
RO-GU10-6-1	170-240V	6W	480lm	80	0.5	Option
RO-GU10-7-1	170-240V	7W	560lm	80	0.5	Option

Photometric Data

GU10 6W 38°



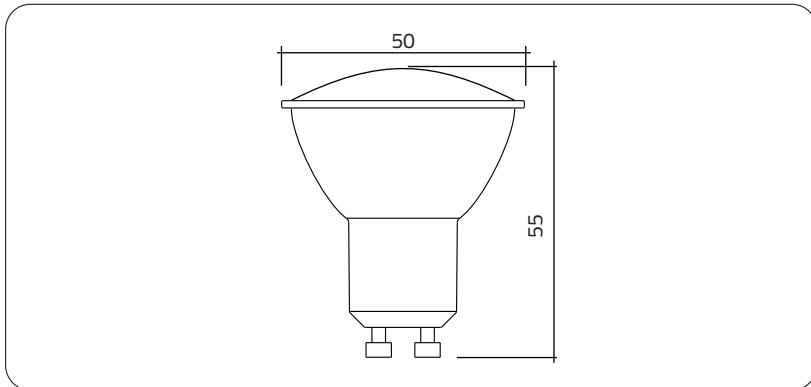
LED Sources

LED GU10 F 120°



UP To 80% ENERGY SAVING

4w	25w
5w	35w
6w	50w
7w	55w



Key Materials

- Sanan chip SMD2835
- Plastic coated and aluminum housin
- Built-in constant current LED driver

Options

- 100-240V wide input voltage option
- Dimmable version is available

Applications

- Hotels, shops, restaurants, bars, cafes etc

SPECIFICATION

3000K / 4000K / 6000K

Code No.	Voltage	Power	Lumen	CRI	PF	EMC
RO-GU10-4-2	170-240V	4W	320lm	80	0.5	Option
RO-GU10-5-2	170-240V	5W	400lm	80	0.5	Option
RO-GU10-6-2	170-240V	6W	480lm	80	0.5	Option
RO-GU10-7-2	170-240V	7W	560lm	80	0.5	Option

GU10

Zoomable

Teco's GU10 Zoomable is an angle-adjustable LED spotlight. The angle can be switched at any angle of 24D, 36D, 50D. It's especially suitable for the uncertainty of applications such as shopping malls and restaurants. It's convenient for installers, and consumers no longer have to worry about the lamps they bought are not suitable for them and help dealers reduce inventory.

FEATURE:

- Ra98
- Watt: 7.5
- WPF > 0.9
- pstLM < 0.003
- SVM < 0.003
- CCT: 2700K, 3000K, 4000K
- Beam Angle: 24D / 36D / 50D
- Size: 50mm × 57mm
- Life: 40,000 Hrs





GU10 Advanced Fin

Dimmable/Non-Dimmable

Power:

7W

Luminous:

400LM/450LM/500LM

Beam Angle:

10D/24D/36D/60D



GU10 Advanced Pro

Dimmable/Non-Dimmable

Power:

7W

Luminous:

400LM/450LM/500LM

Beam Angle:

10D/24D/36D/60D



GU16 Advanced Fin

Dimmable/Non-Dimmable

Power:

7W

Luminous:

400LM/450LM/500LM

Beam Angle:

10D/24D/36D/60D



GU16 Advanced Pro

Dimmable/Non-Dimmable

Power:

7W

Luminous:

400LM/450LM/500LM

Beam Angle:

10D/24D/36D/60D



GU10 Pro Emergency DIM

Power:

4W

Luminous:

350LM/380LM/425LM

Beam Angle:

24D/36D/60D



AR111-D

Modle Metal Dimmable

Power:

16W

Luminous:

1060LM/1089LM/1110LM

Beam Angle:

10D/24D/36D/60D





GU10 Advanced Fin

High Lumen

Power:

7W

Luminous:

650LM/680LM/700LM

Beam Angle:

10D/24D/36D/60D

Ra 90	2700K	3000K	4000K	Size(mm) 50x57
----------	-------	-------	-------	-------------------



GU10 Advanced Pro

High Lumen

Power:

7W

Luminous:

650LM/680LM/700LM

Beam Angle:

10D/24D/36D/60D

Ra 90	2700K	3000K	4000K	Size(mm) 50x57
----------	-------	-------	-------	-------------------



GU16 Advanced Fin

High Lumen

Power:

7W

Luminous:

630LM/580LM/628LM

Beam Angle:

10D/24D/36D/50D

Ra 90	2700K	3000K	4000K	Size(mm) 50x57
----------	-------	-------	-------	-------------------



GU16 Advanced Pro

High Lumen

Power:

7W

Luminous:

630LM/580LM/628LM

Beam Angle:

10D/24D/36D/50D

Ra 90	2700K	3000K	4000K	Size(mm) 50x57
----------	-------	-------	-------	-------------------



GU10 Zoomable

High Lumen

Power:

7W

Luminous:

640LM/650LM/710LM

Beam Angle:

24D/36D/50D

Ra 90	2700K	3000K	4000K	Size(mm) 50x57
----------	-------	-------	-------	-------------------



AR111-D

High Lumen

Power:

16W

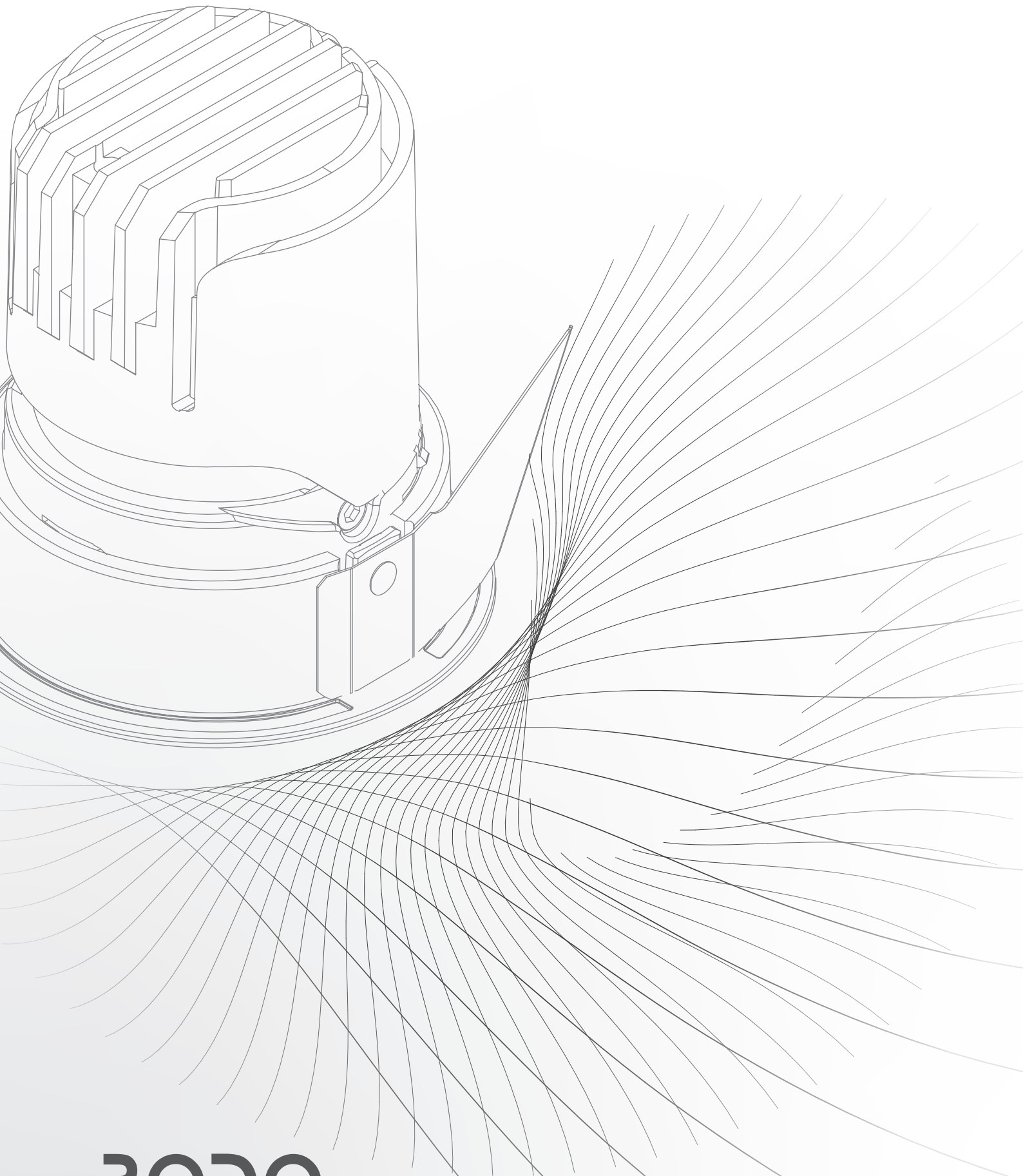
Luminous:

1380LM/1410LM/1440LM

Beam Angle:

15D/24D/36D/60D

Ra 90	2700K	3000K	4000K	Size(mm) 111x64
----------	-------	-------	-------	--------------------



RODO

www.rodolights.com

📍 Oman, Muscat

📞 +968 906 00 810

✉ info@rodolights.com

